



# INVERTER SERIES

## V1000



EN

DE

ES

FR

IT

V1000  
V1000  
V1000  
V1000

# V1000

## YASKAWA INVERTER DRIVE TECHNOLOGY

### Contents

- ▶ **Page 2**  
Experience & Innovation  
A leader in Inverter Drives technology  
V1000 – Easy and cost-saving handling through all kinds of applications
- ▶ **Page 3**  
"One for all" – Multiple Applications
- ▶ **Page 4/5**  
Specifications
- ▶ **Page 6**  
Connection Diagram
- ▶ **Page 7**  
V1000 Dimensions
- ▶ **Page 8**  
V1000 Finless Version Dimensions
- ▶ **Page 9**  
V1000 IP66 Dimensions
- ▶ **Page 10**  
Options
- ▶ **Page 11**  
Ratings & Type Descriptions incl. finless

### Experience & Innovation

**For more than 90 years YASKAWA has been manufacturing and supplying mechatronic products for machine building and industrial automation. Its standard products as well as tailor-made solutions are famous and have a high reputation for outstanding quality and durability.**

### A leader in Inverter Drives technology

Extensive research and development has allowed YASKAWA to remain at the forefront of motion control and automation technology. This technological leadership has helped to modernise industries such as mining, steel, pulp and paper, chemical, automotive, packaging, machine tool and semiconductor.

In 2007 YASKAWA produced its 10 millionth inverter in the new inverter plant in Yukuhashi, Japan. By this YASKAWA is probably the biggest inverter manufacturer in the world.

The 10 millionth inverter was a V1000, the latest inverter developed by YASKAWA. Awarded by IEN magazine as being the 'most innovative product 2007' at Hanover Fair Industry 2007 the V1000 has raised the bar in the market in terms of usability and reliability.

### V1000 – Easy and cost-saving handling through all kinds of applications

This powerful little helper sets standards in terms of user friendliness and process orientation. The development of the V1000

focuses on all aspects of application, installation, operation and maintenance.

### Safety Integrated

YASKAWA V1000 is one of the first general purpose compact drives with built-in two channel hardware base block input. It already meets international safety standards and thereby supports machine builder to apply to international machine directives.

### Finless Type

YASKAWA has as one of the first manufacturers promoted the development of finless type inverters for the European and international markets. Consequently the V1000 is available as finless version for applications with an external cooling system.

### YASKAWA V1000 Features

- ▶ Dual Safety Input
- ▶ In normal duty (120% overload) one frame size larger motor can be driven
- ▶ Standard AC Motor and PM motor control
- ▶ V/f and open-loop current vector control
- ▶ One of the smallest inverter drives in the world
- ▶ Side-by-side mounting
- ▶ Icon-based programming
- ▶ Designed for 10 years of maintenance-free operation



## “One for all” – Multiple Applications

YASKAWA V1000 is a general purpose inverter drive covering the demands of a wide field of applications. Simple duties as well as requirements of complex systems need a higher level of functionality, reliability and easy handling, which are provided by the V1000.

- ▶ For energy saving, permanent magnet motor control is possible
- ▶ Selectable control method: open-loop current vector or V/f
- ▶ Small Design – Big Power: 150% overload in heavy duty service is possible. For applications with low overload requirements the drive can be operated with 120% overload in normal duty service. Consequently you can use a drive of smaller size to do the work of a bigger one.
- ▶ Worldwide specification CE, UL, cUL, RoHS (TÜV safety approved)
- ▶ High flux braking reduces braking time to the half
- ▶ Flexible base: IP20 as standard, Finless for special cooling demands, IP66 without keypad for fieldbus connection, and IP66 with large key LED operator for best display readability.

### Easy Installation

YASKAWA V1000 reduces installation time and costs. Installable in tight spaces it requires a minimum of set-up time and provides you all the comfort of a modern up-to-date inverter drive.

- ▶ One of the smallest inverter drives in the world saves mounting space and cost by side-by-side mounting
- ▶ Application parameter pre-settings shorten set-up time
- ▶ Same handling and parameter structure for all YASKAWA inverters
- ▶ DriveWorksEZ visual programming tool. Simply drag and drop icons to customize your drive. Create special sequences and detection functions, then load them onto the drive.

### Quick Maintenance

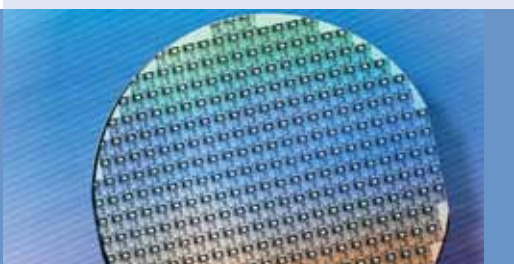
YASKAWA V1000 is an inverter drive which adapts to user demands and provides maintenance functions that ensure quick replacement and minimize down time.

- ▶ Removable terminal board with parameter memory for quick and easy maintenance
- ▶ Screwless control terminal saves setup time

### Reliable Operation

The V1000 continues the tradition of YASKAWA by being the reliable link in your production chain.

- ▶ Designed for Long Performance Life (10 years 24 h per day at 80% nominal load.)
- ▶ Quick response on load and speed changes improves your machine performance
- ▶ Online Auto-Tuning to optimise for improved motor performance at low speed
- ▶ Optional external 24 VDC-supply assures communication and data flow in any power-down situation



# Specifications



Voltage class		Single-phase 200 V						
Inverter model CIMR-VCBA* <sup>1</sup>		0001	0002	0003	0006	0010	0012	00018* <sup>6</sup>
Inverter output	Motor output kW at normal duty* <sup>2</sup>	0.18	0.37	0.75	1.1	2.2	3.0	–
	Motor output kW at heavy duty* <sup>2</sup>	0.1	0.18	0.55	0.75	1.5	2.2	4.0
	Rated output current at normal duty [A]* <sup>3</sup>	1.2	1.9	3.3	6	9.6	12	–
	Rated output current at heavy duty [A]	0.8* <sup>4</sup>	1.6* <sup>4</sup>	3.0* <sup>4</sup>	5.0* <sup>4</sup>	8.0* <sup>5</sup>	11.0* <sup>5</sup>	17.5* <sup>5</sup>
	Overload	125% for 60 sec normal duty, 150 % for 60 sec at heavy duty from inverter rated output current						
	Rated output power at normal duty [kVA]*	0.5	0.7	1.3	2.3	3.7	4.6	–
	Rated output power at heavy duty [kVA]*	0.3	0.6	1.1	1.9	3.0	4.2	6.7
	Max. output voltage	Three-phase 200 to 240 V (proportional to input voltage)						
Max. output frequency	400 Hz							
Inverter input	Rated input voltage	Single-phase 200 to 240 V, -15% to +10%						
	Rated input frequency	50/60 Hz, ±5%						

\* based on input voltage 220 V

Voltage class		Three-phase 200 V										
Inverter model CIMR-VC2A		0001	0002	0004	0006	0010	0012	0020	0030	0040	0056	0069
Inverter output	Motor output kW at normal duty* <sup>2</sup>	0.18	0.37	0.75	1.1	2.2	3.0	5.5	7.5	11.0	15.0	18.5
	Motor output kW at heavy duty* <sup>2</sup>	0.1	0.2	0.4	0.75	1.5	2.2	4.0	5.5	7.5	11.0	15.0
	Rated output current at normal duty [A]* <sup>3</sup>	1.2	1.9	3.5	6.0	9.6	12.0	19.6	30.0	40.0	56.0	69.0
	Rated output current at heavy duty [A]	0.8* <sup>4</sup>	1.6* <sup>4</sup>	3.0* <sup>4</sup>	5.0* <sup>4</sup>	8.0* <sup>5</sup>	11.0* <sup>5</sup>	17.5* <sup>5</sup>	25.0* <sup>5</sup>	33.0* <sup>5</sup>	47.0* <sup>5</sup>	60.0* <sup>5</sup>
	Overload	120% for 60 sec at normal duty, 150% for 60 sec at heavy duty from inverter rated output current										
	Rated output power at normal duty [kVA]*	0.5	0.7	1.3	2.3	3.7	4.6	7.5	11.4	15.2	21.3	26.3
	Rated output power at heavy duty [kVA]*	0.3	0.6	1.1	1.9	3.0	4.2	6.7	9.5	12.6	17.9	22.9
	Max. output voltage	Three-phase 200 to 240 V (proportional to input voltage)										
Max. output frequency	400 Hz											
Inverter input	Rated input voltage	Three-phase 200 to 240 V, -15% to +10%										
	Rated input frequency	50/60 Hz, ±5%										

\* based on input voltage 220V

Voltage class		Three-phase 400 V										
Inverter model CIMR-VC4A		0001	0002	0004	0005	0007	0009	0011	0018	0023	0031	0038
Inverter output	Motor output kW at normal duty* <sup>2</sup>	0.37	0.75	1.5	2.2	3.0	4.0	5.5	7.5	11	15.0	18.5
	Motor output kW at heavy duty* <sup>2</sup>	0.18	0.37	0.75	1.5	2.2	3.0	4.0	5.5	7.5	11.0	15.0
	Rated output current at normal duty [A]* <sup>3</sup>	1.2	2.1	4.1	5.4	6.9	8.8	11.1	17.5	23.0	31.0	38.0
	Rated output current at heavy duty [A]* <sup>5</sup>	1.2	1.8	3.4	4.8	5.5	7.2	9.2	14.8	18.0	24.0	31.0
	Overload	120% for 60 sec at normal duty, 150% for 60 sec at heavy duty from inverter rated output current										
	Rated output power at normal duty [kVA]*	0.9	1.6	3.1	4.1	5.3	6.7	8.5	13.3	17.5	23.6	29.0
	Rated output power at heavy duty [kVA]*	0.9	1.4	2.6	3.7	4.2	5.5	7.0	11.3	13.7	18.3	23.6
	Max. output voltage	Three-phase 380 to 480 V (proportional to input voltage)										
Max. output frequency	400 Hz											
Inverter input	Rated input voltage	Three-phase 380 to 480 V, -15% to +10%										
	Rated input frequency	50/60 Hz, ±5%										

\* based on input voltage 400 V

<sup>1</sup> Drives with a single-phase power supply input have three-phase output. Single-phase motors cannot be used.

<sup>2</sup> The motor capacity (kW) refers to a YASKAWA 4-pole, 60 Hz, 200 V motor. The rated output current of the drive output amps should be equal to or greater than the motor rated current.

<sup>3</sup> at 2 kHz carrier frequency without derating

<sup>4</sup> at 10 kHz carrier frequency without derating

<sup>5</sup> at 8 kHz carrier frequency without derating

<sup>6</sup> only heavy duty available

Rotational Auto-Tuning must be performed to achieve the performance described with Open Loop Vector Control.



		Specifications
Control Functions	Control methods	Open Loop Vector Control (Current Vector), V/f Control, PM Open Loop Vector Control (for SPM and IPM motors)
	Frequency Control Range	0.01 to 400 Hz
	Frequency Accuracy (Temperature Fluctuation)	Digital input: within $\pm 0.01\%$ of the max. output frequency ( $-10^{\circ}\text{C}$ to $+50^{\circ}\text{C}$ ) Analog input: within $\pm 0.1\%$ of the max. output frequency ( $25^{\circ}\text{C} \pm 10^{\circ}\text{C}$ )
	Frequency Setting Resolution	Digital input: 0.01 Hz Analog input: 1/1000 of max. frequency
	Output Frequency Resolution	20 bit of maximum output frequency (parameter E1-04 setting)
	Frequency Setting Resolution	Main frequency reference: 0..10 V (20 k $\Omega$ ) 10 bit, 4..20 mA (250 $\Omega$ ) or 0..20 mA (250 $\Omega$ ) 9-bit Main speed reference : Pulse Train Input (max. 32 kHz)
	Starting Torque	200% / 0.5 Hz (assumes Heavy Duty rating AC Motor of 3.7 kW or less using Open Loop Vector Control), 50% / 6 Hz (assumes PM Open Loop Vector Control)
	Speed Control Range	1:100 (Open Loop Vector Control), 1:20 to 40 (V/f Control), 1:10 (PM Open Loop Vector Control)
	Speed Control Accuracy	$\pm 0.2\%$ in Open Loop Vector Control ( $25^{\circ}\text{C} \pm 10^{\circ}\text{C}$ ) *1
	Speed Response	5 Hz in Open Loop Vector ( $25^{\circ}\text{C} \pm 10^{\circ}\text{C}$ ) (requires Rotational Auto-Tuning)
	Torque Limit	Open Loop Vector Control allows separate settings in four quadrants
	Accel/Decel Time	0.0 to 6000.0 s (4 selectable combinations of independent acceleration and deceleration settings)
	Braking Torque	① Short-time decel torque*2: over 150% for 0.1/0.2 kW motors, over 100% for 0.4/ 0.75 kW motors, over 50% for 1.5 kW motors, and over 20% for 2.2 kW and above motors (overexcitation braking/High-Slip Braking: approx. 40%) ② Continuous regen. torque: approx. 20% (approx. 125% with dynamic braking resistor option*3: 10% ED, 10 s, internal braking transistor)
	V/f Characteristics	User-selected programs, V/f preset patterns possible
Main Control Functions	Momentary power loss ride-thru, Speed search, Overtorque detection, Torque limit, 17-step speed (max), Accel/decel time switch, S-curve accel/decel, 3-wire sequence, Auto-tuning (rotational, stationary tuning for resistance between lines), Dwell, Cooling fan on/off switch, Slip compensation, Torque compensation, Frequency jump, Upper/lower limits for frequency reference, DC injection braking at start and stop, Overexcitation braking, High slip braking, PID control (with sleep function), Energy saving control, MEMOBUS comm. (RS-485/422 max, 115.2 kbps), Fault restart, Application presets, DriveWorksEZ (customized function), Removable terminal block with parameter backup function...	
Protection Function	Motor Protection	Motor overheat protection based on output current
	Momentary Overcurrent Protection	Drive stops when output current exceeds 200% of Heavy Duty Rating
	Overload Protection	Drive stops after 60 s at 150% of rated output current (Heavy Duty Rating)*4
	Overvoltage Protection	200 V class: Stops when DC bus exceeds approx. 410 V 400 V class: Stops when DC bus exceeds approx. 820 V
	Undervoltage Protection	Stops when DC bus voltage falls below the following levels: Three-phase 200 V class: approx. 190 V, single-phase 200 V class: approx. 160 V, three-phase 400 V class: approx. 380 V, three-phase 380 V class: approx. 350 V
	Momentary Power Loss Ride-Thru	Stops after approx. 15 ms (default). Parameter settings allow the drive to continue running if power loss lasts for up to approx. 2 s *5
	Heatsink Overheat Protection	Protection by thermistor
	Braking Resistance Overheat Protection	Overheat sensor for braking resistor (optional ERF-type, 3% ED)
	Stall Prevention	Separate settings allowed during acceleration, and during run. Enable/disable only during deceleration.
	Ground Fault Protection	Protection by electronic circuit *6
Operating Environment	Charge LED	Charge LED remains lit until DC bus has fallen below approx. 50 V
	Area of Use	Indoors
	Ambient Temperature	$-10^{\circ}\text{C}$ to $+50^{\circ}\text{C}$ (open chassis), $-10^{\circ}\text{C}$ to $+40^{\circ}\text{C}$ (NEMA Type 1)
	Humidity	95 RH% or less (no condensation)
	Storage Temperature	$-20^{\circ}\text{C}$ to $+60^{\circ}\text{C}$ (short-term temperature during transportation)
	Altitude	Max. 1000 m (output derating of 1% per 100 m above 1000 m, max. 3000 m)
Standards	Shock	10 to less than 20 Hz (9.8 m/s <sup>2</sup> ) max., 20 to 55 Hz (5.9 m/s <sup>2</sup> ) max.
	Standards	CE, UL, cUL, RoHS
Protection Design	IP20 open-chassis, NEMA Type 1 enclosure, IP66	

\*1 Speed control accuracy may vary slightly depending on installation conditions or motor used.

\*2 Momentary average deceleration torque refers to the deceleration torque from 60Hz down to 0 Hz. This may vary depending on the motor.

\*3 If L3-04 is enabled when using a braking resistor or braking resistor unit, the motor may not stop within the specified deceleration time.

\*4 Overload protection may be triggered at lower levels if output frequency is below 6 Hz.

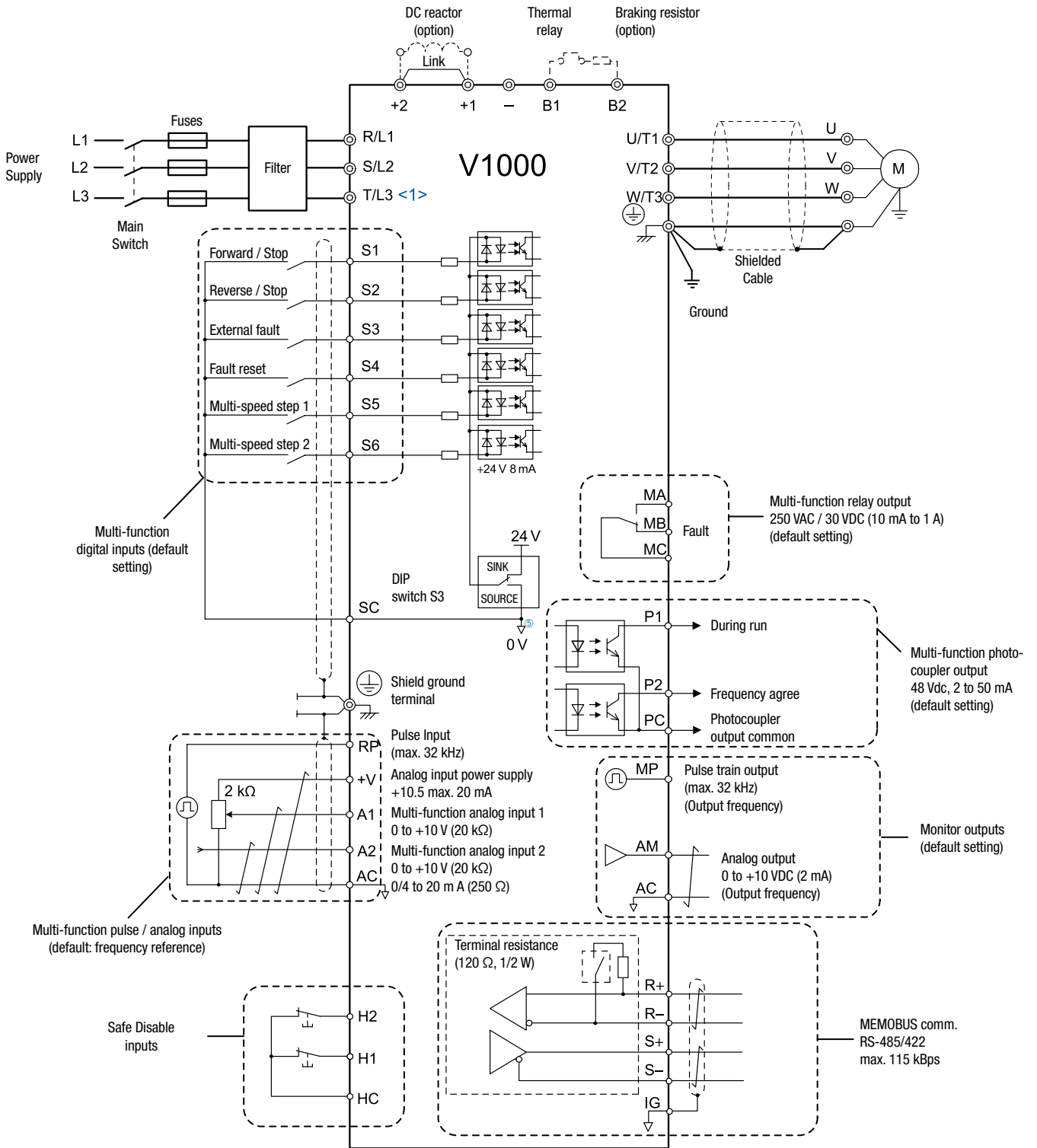
\*5 Varies by drive capacity. Drives smaller than 7.5 kW (CIMR-VA2A0004/CIMR-VA4A0023) require a separate Momentary Power Loss Recovery Unit to continue operating during a momentary power loss of 2 s.

\*6 Protection may not be provided under the following conditions as the motor windings are grounded internally during run:

- Low resistance to ground from the motor cable or terminal block.
- Drive already has a short-circuit when the power is turned on.



# Connection Diagram



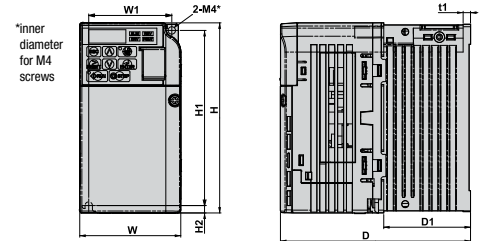
- ± Use twisted pair cables.
- ⊕ Use shielded twisted pair cables.
- ⊙ Indicates a main circuit terminal.
- Indicates a control circuit terminal.



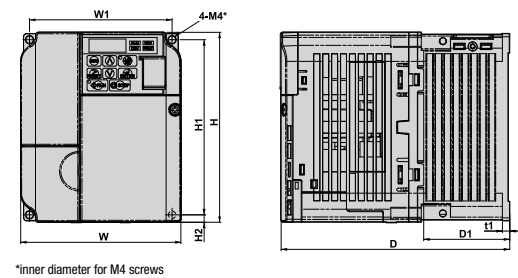
## V1000 Dimensions

### IP20/Open-Chassis (without an EMC filter)

Voltage Class	Drive Model CIMR-VC□	Dimensions in mm										
		W1	H1	W	H	D	t1	H2	D1	Weight (kg)		
Single-Phase 200 V Class	BA0001B	56	118	68	128	76	3	5	6.5	0.6		
	BA0002B					118	5				38.5	1.0
	BA0003B											
Three-Phase 200 V Class	2A0001B	56	118	68	128	76	3	5	6.5	0.6		
	2A0002B					108	5				38.5	0.9
	2A0004B					128					58.5	1.1
	2A0006B											

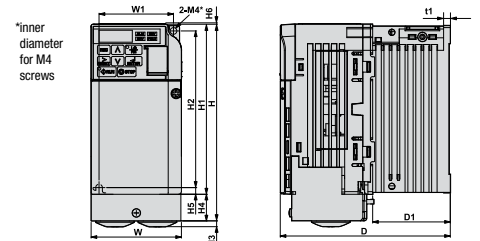


Voltage Class	Drive Model CIMR-VC□	Dimensions in mm										
		W1	H1	W	H	D	t1	H2	D1	Weight (kg)		
Single-Phase 200 V Class	BA0006B	96	118	108	128	137.5	5	5	58	1.7		
	BA0010B					154					65	2.4
	BA0012B					163						
	BA0018B					170						
Three-Phase 200 V Class	2A0010B	96	118	108	128	129	5	5	58	1.7		
	2A0012B					137.5					65	2.4
	2A0020B					143						
Three-Phase 400 V Class	4A0001B	96	118	108	128	81	5	5	58	1.7		
	4A0002B					99					28	1.2
	4A0004B					137.5						
	4A0005B					154					65	2.4
	4A0007B					143						
	4A0009B											
	4A0011B					128					140	143

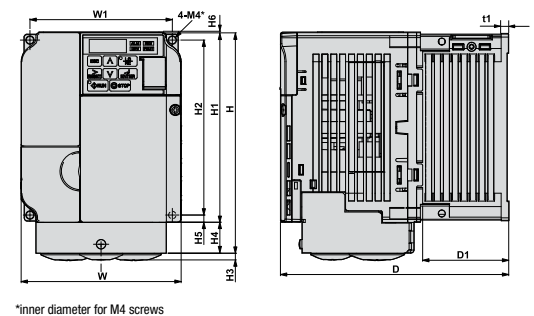


### IP20/NEMA Type 1 (without an EMC filter)

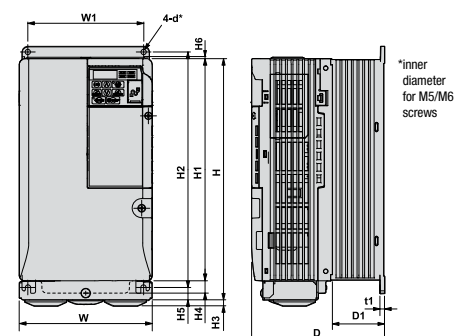
Voltage Class	Drive Model CIMR-VC□	Dimensions in mm														
		W1	H2	W	H1	D	t1	H5	D1	H	H4	H3	H6	Weight (kg)		
Single-Phase 200 V Class	BA0001F	56	118	68	128	76	3	5	6.5	149.5	20	4	1.5	0.8		
	BA0002F					118	5								39	1.2
	BA0003F															
Three-Phase 200 V Class	2A0001F	56	118	68	128	76	3	5	6.5	149.5	20	4	1.5	0.8		
	2A0002F					108	5								39	1.1
	2A0004F					128									59	1.3
	2A0006F															



Voltage Class	Drive Model CIMR-VC□	Dimensions in mm																		
		W1	H2	W	H1	D	t1	H5	D1	H	H4	H3	H6	Weight (kg)						
Single-Phase 200 V Class	BA0006F	96	118	108	128	137.5	5	5	58	149.5	20	4	1.5	1.9						
	BA0010F					154									65	153	38	4.8	5	2.6
	BA0012F					163														
	BA0018F					170														
Three-Phase 200 V Class	2A0010F	96	118	108	128	129	5	5	58	149.5	20	4	1.5	1.9						
	2A0012F					137.5									65	153	4.8	5	2.6	
	2A0020F					143														
Three-Phase 400 V Class	4A0001F	96	118	108	128	81	5	5	58	149.5	20	4	1.5	1.9						
	4A0002F					99									28	1.4				
	4A0004F					137.5														
	4A0005F					154									65	153	4.8	5	2.6	
	4A0007F					143														
	4A0009F																			
	4A0011F					128									140	143	65	153	4.8	5



Voltage Class	Drive Model CIMR-VC□	Dimensions in mm																				
		W1	H2	W	H1	D	t1	H5	D1	H	H4	H3	H6	d	Weight (kg)							
Three-Phase 200 V Class	2A0030F	122	248	140	234	140	5	13	55	254	13	6	1.5	M5	3.8							
	2A0040F													75		290	15	M5	5.5			
	2A0056F													192		336	220	320	187	7	M6	9.2
	2A0069F																					
Three-Phase 400 V Class	4A0018F	122	248	140	234	140	5	13	55	254	13	6	1.5	M5	3.8							
	4A0023F													75		290	15	M5	5.2			
	4A0031F													192		336	220	320	187	7	M6	9.2
	4A0038F																					

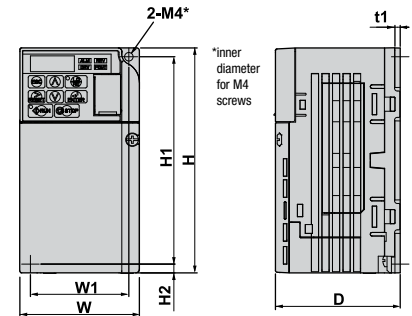




## V1000 Finless Version Dimensions

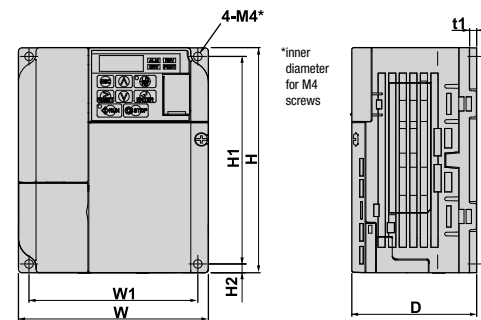
### ... for Models BA0001J□□~2A0006

Voltage Class	Drive Model CIMR-VC□	Dimensions in mm							
		W	H	D	W1	H1	H2	t1	Weight (kg)
Single-Phase 200 V Class	BA0001	68	128	71	56	118	5	3	0.6
	BA0002			81					
	BA0003			81					
Three-Phase 200 V Class	2A0001	68	128	71	56	118	5	3	0.6
	2A0002								0.7
	2A0004								0.7
	2A0006								0.7



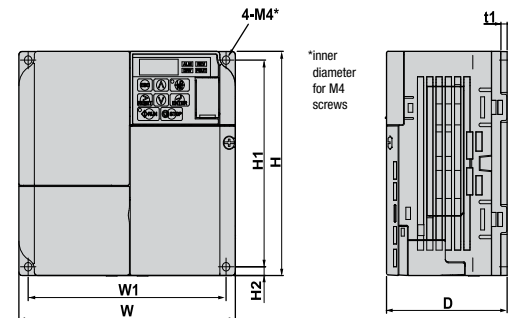
### ... for Models BA0006J□□~4A0009

Voltage Class	Drive Model CIMR-VC□	Dimensions in mm							
		W	H	D	W1	H1	H2	t1	Weight (kg)
Single-Phase 200 V Class	BA0006	108	128	79.5	96	118	5	4	1.1
	BA0010			91					
Three-Phase 200 V Class	2A0008	108	128	71	96	118	5	4	1.0
	2A0010			79.5					
	2A0012			79.5					
Three-Phase 400 V class	4A0001	108	128	71	96	118	5	4	0.9
	4A0002			71					
	4A0004			79.5					
	4A0005			79.5					
	4A0007			96					
	4A0009			96					



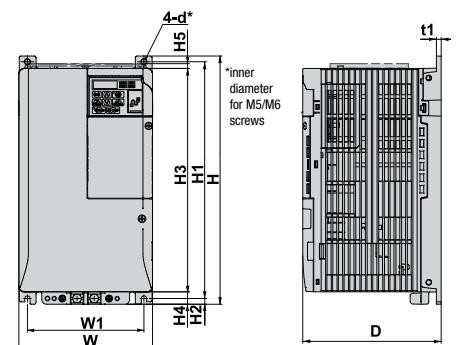
### ... for Models BA0012J□□~4A0011

Voltage Class	Drive Model CIMR-VC□	Dimensions in mm							
		W	H	D	W1	H1	H2	t1	Weight (kg)
Single-Phase 200 V Class	BA0012	140	128	98	128	118	5	4	1.4
Three-Phase 200 V Class	2A0018	140	128	78	128	118	5	4	1.3
	2A0020			78					
Three-Phase 400 V class	4A0011	140	128	78	128	118	5	4	1.3

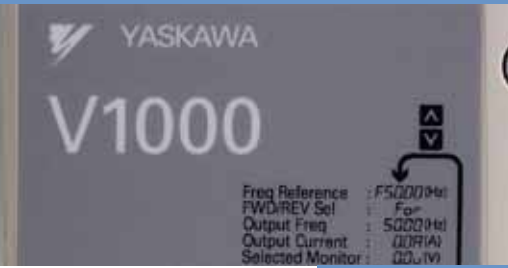


### ... for Models 2A0030J□□~4A0038

Voltage Class	Drive Model CIMR-VC□	Dimensions in mm											
		W	H	D	W1	H1	H2	H3	H4	H5	d	t1	Weight (kg)
Three-Phase 200 V Class	2A0030	140	260	145	122	248	6	234	13	5	M5	5	3.2
	2A0040												4.6
	2A0056	180	300	147	160	284	8	270	15	5	M6	5	7.0
	2A0069												7.0
Three-Phase 400 V Class	4A0018	140	260	145	122	248	6	234	13	5	M5	5	3.1
	4A0023												3.2
	4A0031	180	300	147	160	284	8	270	15	5	M5	5	4.3
	4A0038												4.6







## V1000 IP66 Dimensions

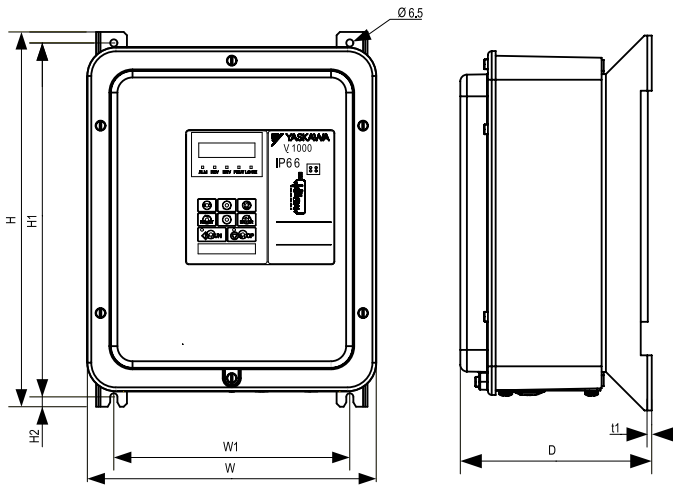


Fig. 1

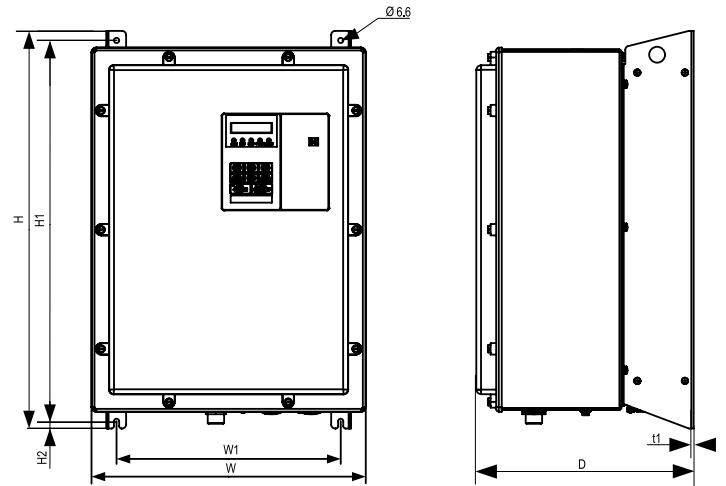


Fig. 2

Inverter model CIMR-VC□	Figure	Dimensions in mm							Weight (kg)
		W	H	D	W1	H1	H2	t1	
BA0001-0080/0081	Fig. 1	262	340	173.5	214	321	9	2	4.9
BA0002-0080/0081									5.1
BA0003-0080/0081									5.7
BA0006-0080/0081									5.8
BA0010-0080/0081									6.1
BA0012-0080/0081									5.2
4A0001-0080/0081									5.3
4A0002-0080/0081									5.7
4A0004-0080/0081									6.0
4A0005-0080/0081									19.8
4A0007-0080/0081									19.9
4A0009-0080/0081									21.0
4A0011-0080/0081	Fig. 2	345	500.5	273.5	282	458,5	10	2	21.3
4A0018-0080/0081									19.8
4A0023-0080/0081									19.9
4A0031-0080/0081									21.0
4A0038-0080/0081									21.3

Data and Dimensions are preliminary and subject to be changed at any time.

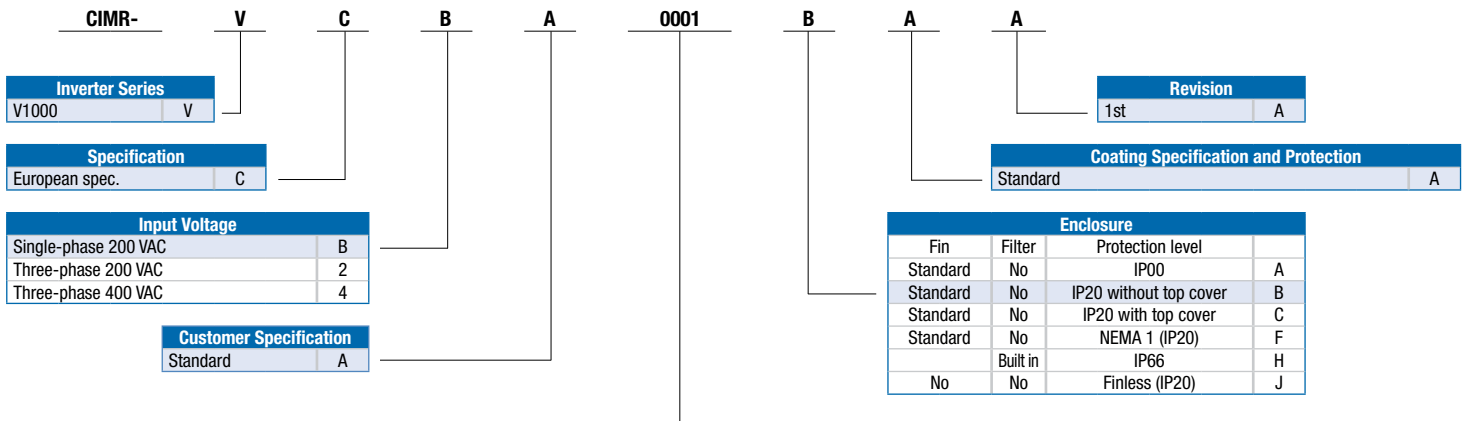
# Options



Name	Purpose	Model, Manufacturer
Input noise filter	Reduces noise from the line that enters into the drive input power system. Should be installed as close as possible to the drive.	<b>1-phase 200 V</b> CIMR-VCBA0001 FS23638-10-07 CIMR-VCBA0002 FS23638-10-07 CIMR-VCBA0003 FS23638-10-07 CIMR-VCBA0006 FS23638-20-07 CIMR-VCBA0010 FS23638-20-07 CIMR-VCBA0012 FS23638-30-07 CIMR-VCBA0018 FS23638-40-07
		<b>3-phase 200 V</b> CIMR-VC2A0001 FS23637-8-07 CIMR-VC2A0002 FS23637-8-07 CIMR-VC2A0004 FS23637-8-07 CIMR-VC2A0006 FS23637-8-07 CIMR-VC2A0010 FS23637-14-07 CIMR-VC2A0012 FS23637-14-07 CIMR-VC2A0020 FS23637-24-07 CIMR-VC2A0030 FS23637-52-07 CIMR-VC2A0040 FS23637-52-07 CIMR-VC2A0056 FS23637-68-07 CIMR-VC2A0069 FS23637-80-07
		<b>3-phase 400 V</b> CIMR-VC4A0001 FS23639-5-07 CIMR-VC4A0002 FS23639-5-07 CIMR-VC4A0004 FS23639-5-07 CIMR-VC4A0005 FS23639-10-07 CIMR-VC4A0007 FS23639-10-07 CIMR-VC4A0009 FS23639-10-07 CIMR-VC4A0011 FS23639-15-07 CIMR-VC4A0018 FS23639-30-07 CIMR-VC4A0023 FS23639-30-07 CIMR-VC4A0031 FS23639-50-07 CIMR-VC4A0038 FS23639-50-07
Braking resistor	Used to shorten the deceleration time by dissipating regenerative energy through a resistor (3% ED).	ERF-150WJ series
AC Choke	Reducing Harmonics	
Braking Chopper	Shortened deceleration time results when used with a Braking Transistor Unit.	CDBR-□□□□
24 V power supply	Provides power supply for the control circuit and option boards. Note: Parameter settings cannot be changed when the drive is operating solely from this power supply.	PS-V10S PS-V10M
USB copy unit (RJ-45/USB compatible plug)	Adapter for connecting the drive to the USB port of a PC. (e.g. for Support Tool Drive Wizard Plus) Can copy parameter settings to be later transferred to another drive.	JVOP-181
Support tools (DriveWizard Plus) cable	Connects the drive to a PC for use with DriveWizard.	WV103
LCD operator	For easier operation when using the optional LCD operator. Allows for remote operation. Includes a Copy function for saving drive settings.	JVOP-180
LED operator	LED digital operator for easier operation.	JVOP-182
Operator extension cable	Cable for connecting the LCD operator.	WV001: 1 m WV003: 3 m
Operator Mounting Frame	Frame for mounting JVOP-180/182 on panel door or wall, IP65	EUOP-V11001
Communication interface unit	Allows control of the drive via a fieldbus network.	MECHATROLINK-2
		CC-link
		DeviceNet
		PROFIBUS-DP
		CANopen
Attachment for external heatsink	Mechanical kit to install the drive with the heatsink out of the cabinet.	100-034□□□□
DIN rail attachment kit	Mechanical kit for installation on a DIN rail.	

Note: contact the manufacturer in question for availability and specifications of non-YASKAWA products.

## Ratings & Type Descriptions



Single-phase 200 VAC				
	Normal duty		Heavy duty	
	Rated output current	Max. applicable motor	Rated output current	Max. applicable motor
0001	1.2 A	0.18 kW	0.8 A	0.1 kW
0002	1.9 A	0.37 kW	1.6 A	0.18 kW
0003	3.3 A	0.75 kW	3.0 A	0.55 kW
0006	6.0 A	1.1 kW	5.0 A	0.75 kW
0010	9.6 A	2.2 kW	8.0 A	1.5 kW
0012	12.0 A	3.0 kW	11.0 A	2.2 kW
0018	-	-	17.5 A	4.0 kW

Three-phase 200 VAC				
	Normal duty		Heavy duty	
	Rated output current	Max. applicable motor	Rated output current	Max. applicable motor
0001	1.2 A	0.18 kW	0.8 A	0.1 kW
0002	1.9 A	0.37 kW	1.6 A	0.2 kW
0004	3.5 A	0.75 kW	3.0 A	0.4 kW
0006	6.0 A	1.1 kW	5.0 A	0.75 kW
0010	9.6 A	2.2 kW	8.0 A	1.5 kW
0012	12.0 A	3.0 kW	11.0 A	2.2 kW
0020	19.6 A	5.5 kW	17.5 A	4.0 kW
0030	30.0 A	7.5 kW	25.0 A	5.5 kW
0040	40.0 A	11.0 kW	33.0 A	7.5 kW
0056	56.0 A	15.0 kW	47.0 A	11.0 kW
0069	69.0 A	18.5 kW	60.0 A	15.0 kW

Three-phase 400 VAC				
	Normal duty		Heavy duty	
	Rated output current	Max. applicable motor	Rated output current	Max. applicable motor
0001	1.2 A	0.37 kW	1.2 A	0.2 kW
0002	2.1 A	0.75 kW	1.8 A	0.4 kW
0004	4.1 A	1.5 kW	3.4 A	0.75 kW
0005	5.4 A	2.2 kW	4.8 A	1.5 kW
0007	6.9 A	3.0 kW	5.5 A	2.2 kW
0009	8.8 A	4.0 kW	7.2 A	3.0 kW
0011	11.1 A	5.5 kW	9.2 A	4.0 kW
0018	17.5 A	7.5 kW	14.8 A	5.5 kW
0023	23.0 A	11.0 kW	18.0 A	7.5 kW
0031	31.0 A	15.0 kW	24.0 A	11.0 kW
0038	38.0 A	18.5 kW	31.0 A	15.0 kW



**YASKAWA Europe GmbH**

Drives & Motion Division  
Hauptstr. 185  
65760 Eschborn  
Germany

+49 6196 569-300  
info@yaskawa.eu.com  
www.yaskawa.eu.com

International Standards



Safety Standards

Safety Stop

RoHS Directive

RoHS Directive stands for the EU directive on the restriction of the Use of Certain Hazardous Substances in Electrical and Electronic Equipment