

# FLC 3A

HYGIENIC COMPRESSION LOAD CELL

LAUMAS®



Capacity from 1000 kg to 20000 kg



EXAMPLE OF INSTALLATION ON HYGIENIC FOOT



- 17-4 PH STAINLESS STEEL
- COMBINED ERROR  $\leq \pm 0.1\%$
- PROTECTION CLASS IP69K
- CABLE SUITABLE FOR CONTACT WITH FOOD
- ADJUSTABLE HEIGHT
- HYGIENIC DEVICE RPSCQC AUTHORIZED BY 3-A SSI.

CAPACITY	kg	THREAD	NET WEIGHT (kg)	CODE
1000		M12	-	FLC1000M12A3A
2000		M12	-	FLC2000M12A3A
5000		M16	-	FLC5000M16A3A
5000		M20	-	FLC5000M20A3A
10000		M24	-	FLC10000M24A3A
10000		M30	-	FLC10000M30A3A
20000		M36	-	FLC20000M36A3A

Foot not included.

## CERTIFICATIONS



Equivalent of the CE marking for the United Kingdom



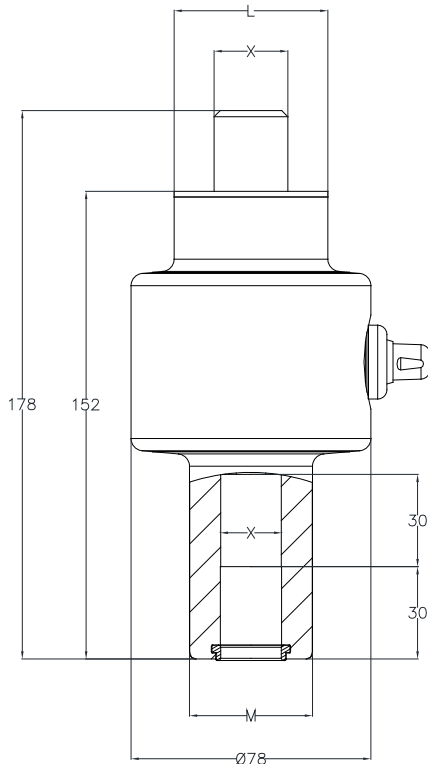
American standard that regulates the design, production and use of hygienic equipment

# FLC 3A

## HYGIENIC COMPRESSION LOAD CELL

LAUMAS®

### DIMENSIONS (mm)



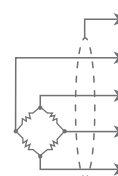
MODELLO	X	L	M
FLC1000M12A3A	M12	24	40
FLC2000M12A3A	M12	24	40
FLC5000M16A3A	M16	30	40
FLC5000M20A3A	M20	35	40
FLC10000M24A3A	M24	50	40
FLC10000M30A3A	M30	50	50
FLC20000M36A3A	M36	50	50

### TECHNICAL FEATURES

Material	17-4 PH stainless steel		
Nominal load	1000 - 2000 - 5000 - 10000 - 20000 kg		
Combined error	≤ ±0.1%		
Protection class	IP69K		
Rated output	2.0 mV/V ±0.1%	Input resistance	350 Ω ±20
Temperature effect on zero	0.005% °C	Output resistance	350 Ω ±5
Temperature effect on span	0.005% °C	Zero balance	±1%
Compensated temperature range	-10 °C / +50 °C	Insulation resistance	>5000 MΩ
Operating temperature range	-20 °C / +70 °C	Safe overload (% of full scale)	150%
Creep at nominal load in 30 minutes	0.05%	Ultimate overload (% of full scale)	300%
Max supply voltage without damage	5 ÷ 15 VDC	Deflection at nominal load	-

### ELECTRICAL CONNECTIONS

Cable length	5 m: 1000 kg, 2000 kg, 5000 kg, 10000 kg (M24) 10 m: 10000 kg (M30), 20000 kg
Cable diameter	5 mm
Cores	6 x 0.20 mm <sup>2</sup>



SHIELD	
+ SIGNAL	GREEN
+ EXCITATION / + REF./SENSE	RED BLUE
- SIGNAL	WHITE
- EXCITATION / - REF./SENSE	BLACK BROWN

The Company reserves the right to make changes to the technical data, drawings and images without notice.

# FLC 3A

## HYGIENIC COMPRESSION LOAD CELL

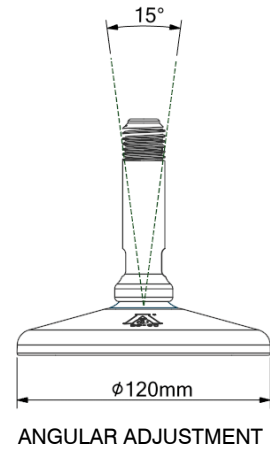
LAUMAS®

### COMPLEMENTARY ACCESSORIES

	CODE	FOR LOAD CELLS
Hygienic foot	FLC273793A	FLC1000M12A3A
	FLC273793A	FLC2000M12A3A
	FLC273803A	FLC5000M16A3A
	FLC273843A	FLC5000M20A3A
	FLCD120M24503A	FLC1000M24A3A
	FLCD120M30503A	FLC1000M30A3A
	FLCD120M36503A	FLC2000M36A3A

On request: hygienic foot with dowel fastening

For other types of hygienic, non-hygienic feet or customizations contact <https://martinlevelling.it>



### LOAD CELL KIT+FOOT

CODE	FOR LOAD CELLS	HYGIENIC FOOT
FLCLF1000M123A	FLC1000M12A3A	FLC273793A
FLCLF2000M123A	FLC2000M12A3A	FLC273793A
FLCLF5000M163A	FLC5000M16A3A	FLC273803A
FLCLF5000M203A	FLC5000M20A3A	FLC273843A
FLCLF10000M243A	FLC10000M24A3A	FLCD120M24503A
FLCLF10000M303A	FLC10000M30A3A	FLCD120M30503A
FLCLF20000M363A	FLC20000M36A3A	FLCD120M36503A

