

Reflex Sensor with Background Suppression

HW11PA3

Part Number



- Adjustable switching distance
- Electronic background suppression
- Red light
- Stainless steel housing

Technical Data

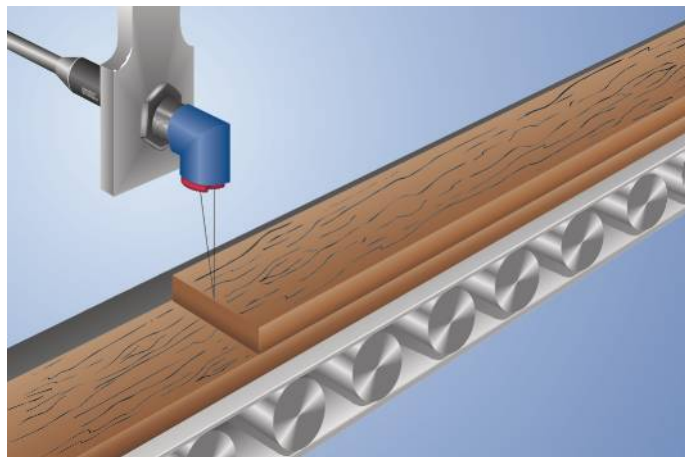
Optical Data	
Range	120 mm
Adjustable Range	35...120 mm
Switching Hysteresis	< 5 %
Light Source	Red Light
Service Life (T = +25 °C)	100000 h
Max. Ambient Light	10000 Lux
Light Spot Diameter	see Table 1

Electrical Data	
Supply Voltage	10...30 V DC
Current Consumption (U _b = 24 V)	< 30 mA
Switching Frequency	600 Hz
Response Time	833 μs
Temperature Drift	< 5 %
Temperature Range	-25...60 °C
Switching Output Voltage Drop	< 2,5 V
PNP Switching Output/Switching Current	200 mA
Short Circuit Protection	yes
Reverse Polarity Protection	yes
Overload Protection	yes
Protection Class	III

Mechanical Data	
Setting Method	Potentiometer
Housing Material	Stainless Steel
Full Encapsulation	yes
Degree of Protection	IP67
Connection	M12 × 1; 4-pin

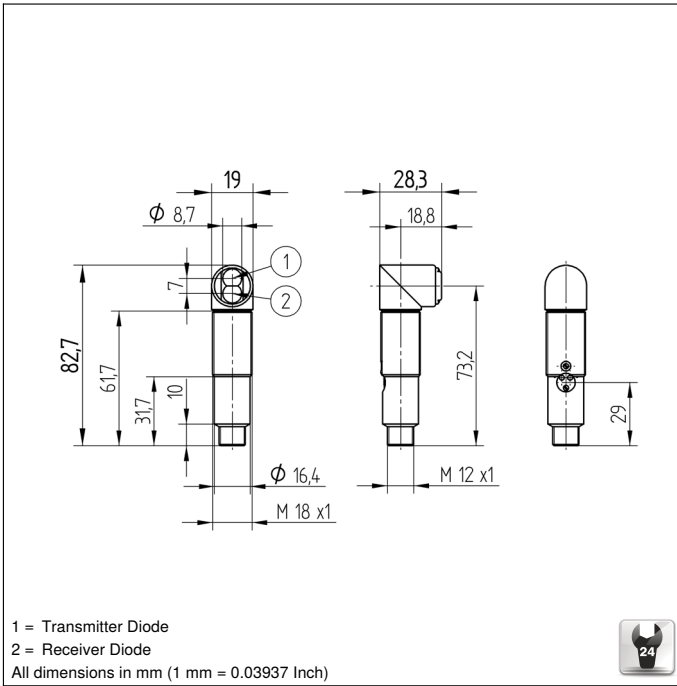
PNP NO/NC antivalent	●
Connection Diagram No.	101
Control Panel No.	D6
Suitable Connection Equipment No.	2
Suitable Mounting Technology No.	150

These sensors detect distance by measuring angles. They are particularly good at recognizing objects in front of any background. The color, shape and surface characteristics of the object have practically no influence on sensor switching performance.

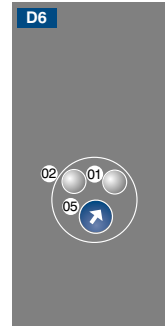


Complementary Products

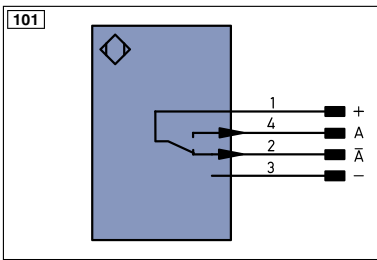
PNP-NPN Converter BG2V1P-N-2M



Ctrl. Panel



- 01 = Switching Status Indicator
- 02 = Contamination Warning
- 05 = Switching Distance Adjuster



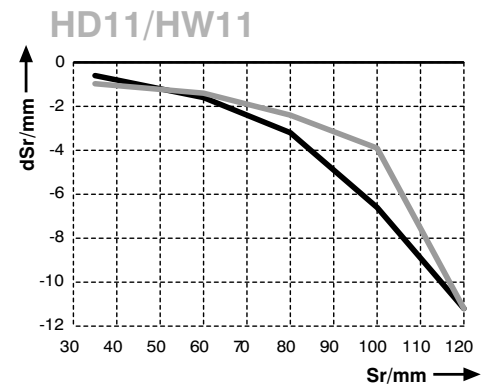
Legend		Legend		Legend	
+	Supply Voltage +	PT	Platinum measuring resistor	EN ^{A/RS422}	Encoder A/Ā (TTL)
-	Supply Voltage 0 V	nc	not connected	EN ^{B/RS422}	Encoder B/B̄ (TTL)
~	Supply Voltage (AC Voltage)	U	Test Input	EN ^A	Encoder A
A	Switching Output (NO)	Ū	Test Input inverted	EN ^B	Encoder B
Ā	Switching Output (NC)	W	Trigger Input	A _{MIN}	Digital output MIN
V	Contamination/Error Output (NO)	W-	Ground for the Trigger Input	A _{MAX}	Digital output MAX
Ṽ	Contamination/Error Output (NC)	O	Analog Output	A _{OK}	Digital output OK
E	Input (analog or digital)	O-	Ground for the Analog Output	SY _{in}	Synchronization In
T	Teach Input	BZ	Block Discharge	SY _{OUT}	Synchronization OUT
Z	Time Delay (activation)	A _{MV}	Valve Output	OL _T	Brightness output
S	Shielding	a	Valve Control Output +	M	Maintenance
RxD	Interface Receive Path	b	Valve Control Output 0 V	rsv	reserved
TxD	Interface Send Path	SY	Synchronization	Wire Colors according to DIN IEC 757	
RDY	Ready	SY-	Ground for the Synchronization	BK	Black
GND	Ground	E+	Receiver-Line	BN	Brown
CL	Clock	S+	Emitter-Line	RD	Red
E/A	Output/Input programmable	±	Grounding	OG	Orange
	IO-Link	S _n R	Switching Distance Reduction	YE	Yellow
PoE	Power over Ethernet	Rx+/-	Ethernet Receive Path	GN	Green
IN	Safety Input	Tx+/-	Ethernet Send Path	BU	Blue
OSSD	Safety Output	Bus	Interfaces-Bus A(+)/B(-)	VT	Violet
Signal	Signal Output	L _a	Emitted Light disengageable	GY	Grey
Bl_D+/-	Ethernet Gigabit bidirect. data line (A-D)	Mag	Magnet activation	WH	White
EN ^{0/RS422}	Encoder 0-pulse 0-0̄ (TTL)	RES	Input confirmation	PK	Pink
		EDM	Contactur Monitoring	GNVE	Green/Yellow

Table 1

Detection Range	60 mm	120 mm
Light Spot Diameter	2,5 mm	5 mm

Switching Distance Deviation

Typical characteristic curve based on white, 90 % remission



Sr = Switching Distance
 dSr = Switching Distance Change
 — black 6 % remission
 — grey 18 % remission

