

**BENDING BEAM: capacity from 75 kg to 300 kg**

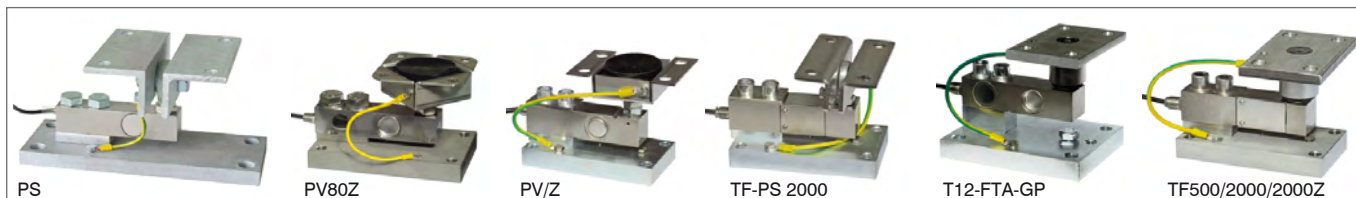


**SHEAR BEAM: capacity from 500 kg to 5000 kg**



- SPECIAL STEEL
- COMBINED ERROR  $\leq \pm 0.02\%$
- PROTECTION CLASS IP67, IP68

### MOUNTING KITS



CAPACITY	kg	ACCURACY CLASS	OIML	IECEx	Ex	EAC	NET WEIGHT OF LOAD CELL (kg)	CODE
75		-		•	•		1	FTK75
150		-		•	•		1	FTK150
300		-		•	•		1	FTK300
500		-		•	•		1	FTK500
1000		C3		•	•		1.1	FTK1000
2000		C3		•	•		1.1	FTK2000
3000		C3		•	•		1.1	FTK3000
5000		C3		•	•		1.1	FTK5000

ON REQUEST

### CERTIFICATIONS

OIML R60 C3 (see capacities table)

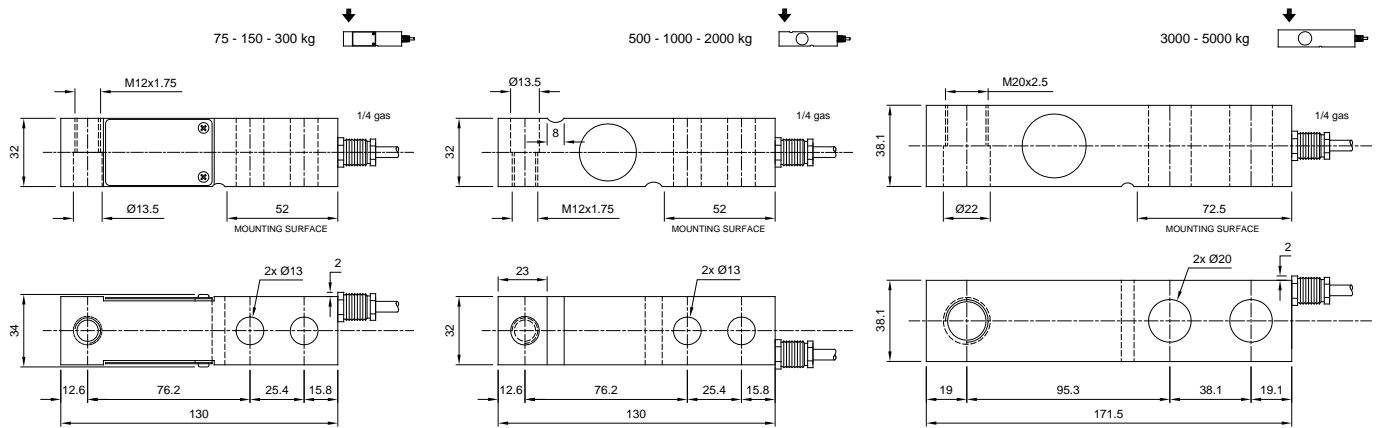
#### CERTIFICATIONS ON REQUEST

ATEX II 1GD (zone 0-1-2-20-21-22)

IECEx II 1GD (zone 0-1-2-20-21-22)

Complies with the Eurasian Custom Union regulations (Russia, Belarus, Kazakhstan)

### DIMENSIONS (mm)



### TECHNICAL FEATURES

Material	Special steel		
OIML R60 Accuracy class • Verification intervals	-	C3 • 3000	
Nominal load (E max)	75 - 150 - 300 - 500 kg	1000 - 2000 - 3000 - 5000 kg	
Minimum verification interval (V min)	-	E max / 12000	
Combined error	$\leq \pm 0.02\%$		
Protection class	IP67, IP68		
Rated output	2 mV/V $\pm 0.1\%$	Input resistance	400 $\Omega$ $\pm 10$
Temperature effect on zero	0.002% $^{\circ}\text{C}$	Output resistance	352 $\Omega$ $\pm 2$
Temperature effect on span	0.0012% $^{\circ}\text{C}$	Zero balance	$\pm 2\%$
Compensated temperature range	-10 $^{\circ}\text{C}$ / +40 $^{\circ}\text{C}$	Insulation resistance	>5000 M $\Omega$
Operating temperature range	-20 $^{\circ}\text{C}$ / +70 $^{\circ}\text{C}$	Safe overload (% of full scale)	150%
Creep at nominal load in 30 minutes	0.03%	Ultimate overload (% of full scale)	250%
Max supply voltage without damage	15 V	Deflection at nominal load	0.6 mm

### ELECTRICAL CONNECTIONS

Cable length	6 m
Cable diameter	5 mm
Cores	4/6 x 0.24 mm <sup>2</sup>



The Company reserves the right to make changes to the technical data, drawings and images without notice.