

W27L100-MLA3FP

27" 4K2K UHD Defence Display



KEY FEATURES

- 27" Display with 4K2K UHD PCAP Rack Mount Defence Display (3840 x 2160) native resolution
- Compliant MIL-STD 810G/ MIL-STD 461E
- Rack mount mechanical design, supports VESA mount
- PCAP multi-touch screen
- Defence-grade power connector (MIL-DTL-38999/1)
- AC 100~240V, Universal, $\pm 10\%$; DC 9~36V, $\pm 10\%$ (Optional)
- Convenient on-screen display controls



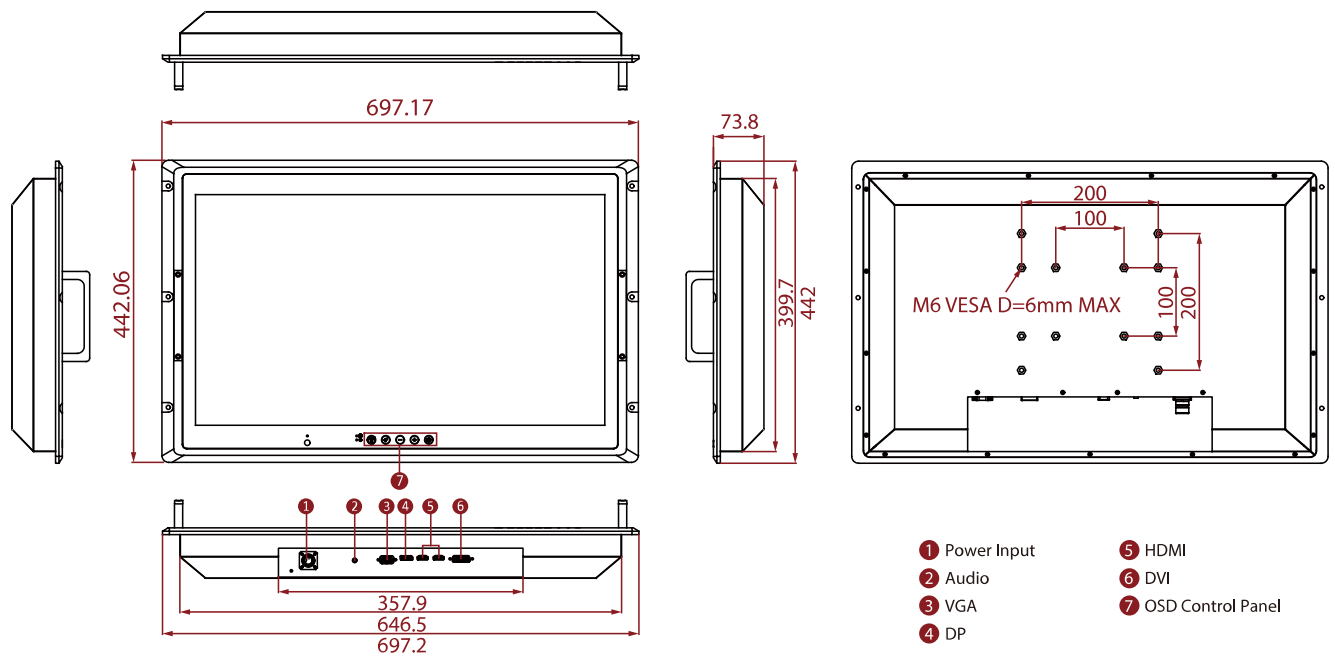
SPECIFICATIONS

Display	
Resolution	3840x2160
Contrast Ratio	1000:1
Display Color	1.07B Colors
Active Area	596.16x335.34 mm
Size	27 inches
Panel Brightness	300 nits
View Angles	89,89,89,89
Touch / Glass	Projected Capacitive Multi Touch Screen PCAP with With ITO Flim (Optional)
Environment	
Operating Humidity	10% to 95% RH
Storage Temperature	-25°C~60°C
Operating Temperature	0~50°C
Compliance	
MIL-STD 461E/F	RE101 / RE102 CE101 / CE102 with EMI Glass / Touch(Optional) RS101 / RS 103 CS101 / CS 106 / CS 109 / CS 114 / CS 115 / CS 116
MIL-STD 810F/G	Vibration Method 514.5 Humidity Method 507.4 Transit Drop Method516.5
Certification	
Certification	CE, FCC
IO Ports	
USB Port	1 x USB for Touch Screen (Optional)
Video	1 x VGA 1 x DVI 1 x Display Port 1.2 1 x HDMI 1.4 (Optional) 1 x HDMI 2.0 (Optional)
Serial Port	1 x RS232 for Remote Control (Optional)
Audio	1 x Audio Line In (Optional)
Mechanical	
Dimension	697.2 x 442 x 73.8 mm
Enclosure	Metal
Mounting	VESA Mount/ Rack Mount
Cooling System	Fanless Design
Accessory	
Accessory	1 x User Manual(Hardcopy) 1 x Power Cord MILDTL38999/1 1 x VGA Cable
Optional Accessory	1 x Audio cable

1 x DVI Cable
 2 x HDMI Cable
 1 x DP Cable

Power	
Power Rating	AC 100~240V, Universal, ±10% DC 9~36V, ±10% (Optional)
Control	
Button	5 x Capacitive Touch Key Power Brightness+ Brightness- OSD/ Enter ESC

DIMENSIONS UNIT:MM



NOTE

1. This is a simplified drawing and some components are not marked in detail.
2. If you require an external test report, Winmate will charge an NRE fee.
3. Please contact our sales representative if you need further product information.
4. All specifications are subject to change without prior notice.
5. The product shown in this datasheet is a standard model. For diagrams that contain customized or optional I/O, please contact the Winmate Sales Team for more information.